



EasyNET

2G/4G MODBUS DATA LOGGER

Brochure

4neXt S.r.l.s.

Via L. da Vinci, 15/4

30030 - Vigonovo (VE) - ITALY

TEL: +39 049 0981450 EMAIL: info@4next.eu

4neXt is an established group of experts that designs and manufactures products for automation, data collection and management in M2M and IoT applications. Our product lines include: Configurable Data Logger, Programmable RTU, Communication Gateway, Protocol Converters, Bridges and Wireless Sensors.

www.4next.eu



Above All Else... GATHER THE DATA

General Description

EasyNET is a data logger that allows interfacing with all **ModBus RTU and TCP** devices in a simple way without knowing how to program. Thanks to stored devices profiles, the choice of registers and variables is immediate and consequently allows you to save installation time without running the risk of having compatibility problems.

The **WEB configuration interface** allows quick access to all system parameters, ModBus registers and variables to be stored.

The data are stored in a removable SD memory and in CSV format, which can be easily imported by any software.

It is possible to send data automatically via **FTP MQTT** and http REST protocols.

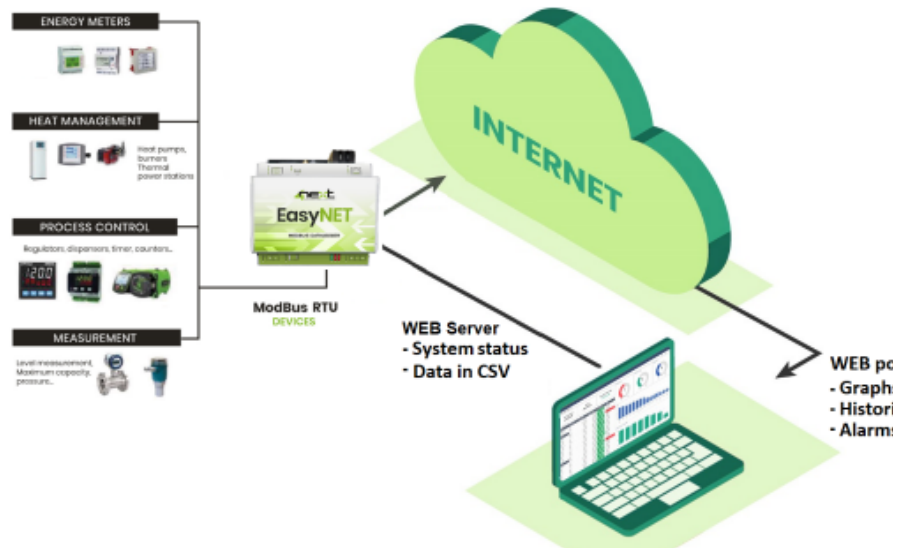
Thanks to the integrated modem, EasyNET is able to send data independently using the cellular network.

In the presence of user-configurable alarms, EasyNET sends alarm messages / emails to the concerned operators.



Application

EasyNET is dedicated to real-time recording and data analysis. Using the 4G modem or the Ethernet connection, EasyNET sends data to users (e-Mail and FTP) or to remote servers for management via the WEB portal. The most common applications are: **metering** (Energy, Water, Gas), **water treatment, renewables, industrial and process control, measurements** in thermal power plants, agri-food **monitoring**.



Technical Features

GENERAL	ELECTRICAL
10-100Mb/s Ethernet port	Power supply 10-32 v DC / 19-28 v AC
RS485 1200-115200bps Port	Average absorption <: 3W
DIN rail guide attachment (4 modules)	Removable terminals 4mm pitch
Frontal panel LED signalling	N. 1 RS485 serial interface (1200÷115200 bps)
Size 90 x 70 x 60 mm	802.11b/g/n integrated module
Operating temperature -20°C +60°C	Mass storage on Micro SD up to 64GB
CE Certification (EN 61000-6-2, EN 61000-6-4 Standards)	
MODEM	SOFTWARE
LTE, 2G-4G Fallback GSM/GPRS	ModBus RTU/TCP Master/slave
Integrated SIM card module	Configurable data logger
	Data sending via FTP and MQTT protocols
	Data mirroring to remote ModBus server

Example of Data Visualization on WEB Portal

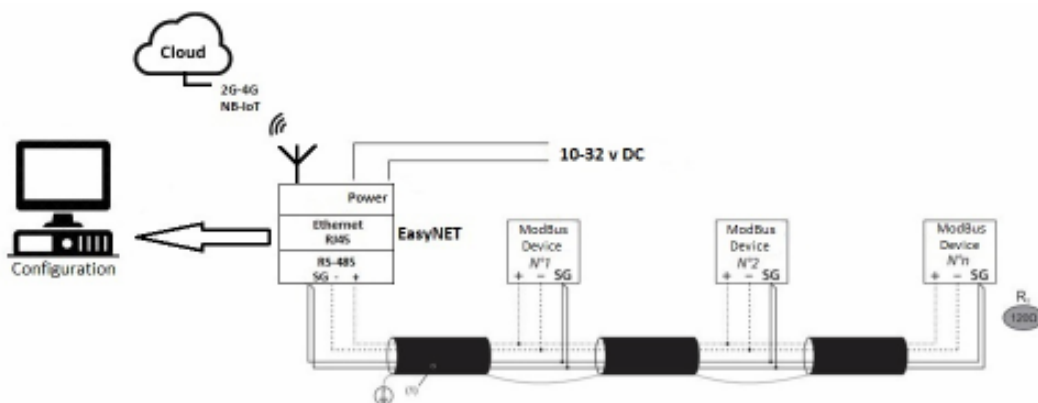


Example of Alarm Page Visualization

The screenshot shows the 'Alarms List' page in the EasyNET web portal. It includes a welcome message for 'Gino Cocchetti' and a table of alarm events. The table has columns for Date, Time, Description, Status, Priority, and Delete.

Date	Time	Description	Status	Priority	Delete
10/05/2021	02:52:00	Excess power alarm	Open	high	[X]
10/05/2021	08:49:00	Excess power alarm	Completed	high	[X]
09/05/2021	09:59:00	Excess power alarm	Completed	high	[X]
09/05/2021	18:32:00	Excess power alarm	Completed	high	[X]
09/05/2021	01:06:00	Excess power alarm	Completed	high	[X]
07/05/2021	08:48:00	Excess power alarm	Completed	high	[X]
06/05/2021	19:28:00	Excess power alarm	Completed	high	[X]
06/05/2021	02:06:00	Excess power alarm	Completed	high	[X]
05/05/2021	08:44:00	Excess power alarm	Completed	high	[X]
04/05/2021	15:09:00	Excess power alarm	Completed	high	[X]
04/05/2021	02:37:00	Excess power alarm	Completed	high	[X]

Connection Scheme





www.4next.eu

FOR MORE INFORMATION
CONTACT US

4neXt S.r.l.s.

Via L. da Vinci, 15/4,
30030 - Vigonovo (VE) - ITALY

TEL: +39 049 0981450

MAIL: info@4next.eu
